



Optical smoke/heat detector

Salwico NS-AOHS

Part no. N11242

System: Salwico CS3000, CS4000 and NSAC-1 fire alarms

Description

The NS-AOHS is an analogue addressable multi sensor fire detector for Salwico addressable fire alarm systems NSAC-1, CS4000 and CS3000 together with SPK-2 rev.3. It has two separate analogue sensor elements. One optical for smoke detection and one heat sensing element for heat detection.

The alarm temperature is 84°C.

The address is set with a DIP-switch mounted in the back of the detector.

When the detector is in alarm condition, a red LED on the detector is lit. The LED is lit until the alarm has been reset at the control panel.

The detector is polarity independent.

An external LED indicator, buzzer etc. can be connected to the remote output.

The polarity of the loop has to be connected according to the drawing below, if the remote output is used.

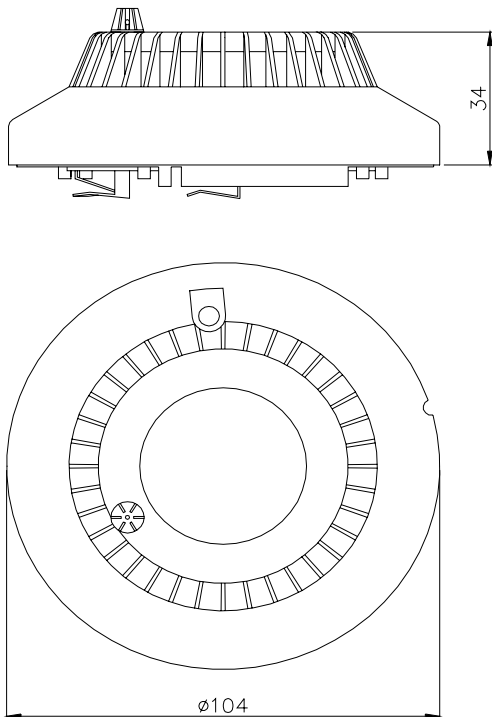
Data

Smoke sensing method	Light scattering type Infra-red
Alarm temperature	84°C
System voltage	24 VDC
Workingvoltage	15 - 35 VDC
Working current	
- supervising	0.2 mA
- alarm	2.5 mA
Remote output	2 mA (for remote indication)
Operating temperature	-25°C to +70°C
Ambient humidity	0 - 95% RH
Colour	White
Weight	~120 g

Base plates

For information about suitable base plates, see separate document "Base matrix Salwico units".

Dimensions (mm)



Connection

