

Adresserbar / Addressable

Anvendelse:

Adresserbar manuell melder for bruk utendørs og i fuktige rom. Ulike versjoner benyttes for å aktivere brannalarm, utløse CO₂ eller delugeanlegg.

Prinsipp:

Gir alarm når glasset knuses. Tilbakestilles når nytt glass blir satt inn. Kan alarmtestes ved hjelp av en Unbraco-nøkkel.

Versjoner:

BF-52/0100	Manuell melder
BF-52/0200	CO ₂ utløser
BF-52/0300	Deluge utløser
BF-52/Ex/0100	Manuell melder, EEx ib-utgave*
BF-52/Ex/0200	CO ₂ utløser, EEx ib-utgave*
BF-52/Ex/0300	Deluge utløser, EEx ib-utgave*

* Se eget datablad.

Application:

Addressable, heavy duty type breakglass unit. Different versions are used to activate fire alarm, release CO₂ or deluge systems.

Principle:

Gives alarm when the glass is broken. Reset by replacement of glass. Can be tested with an Unbraco-key.

Versions:

BF-52/0100	Manual Call-Point
BF-52/0200	CO ₂ Release unit
BF-52/0300	Deluge Release unit
BF-52/Ex/0100	Manual Call-Point, EEx ib-version*
BF-52/Ex/0200	CO ₂ Release unit, EEx ib-version*
BF-52/Ex/0300	Deluge Release unit, EEx ib-version*

* See separate data sheet.

Tekniske data/Technical data: BF-52



Dimensjoner / Dimensions:
(H x B x D) / (H x W x D) : 126 x 120 x 75 mm

Vekt / Weight : 1.2 kg

Materiale / Materials : Glass reinforced polyester

Farge/Colour : BF-52/0100 - rød/red
BF-52/0200 - gul/yellow
BF-52/0300 - gul/yellow

Spenning / Voltage : 14 V DC \pm 2 V

Strømforbruk / Current consumption

Hvilestrøm / Stand by : 0,1 mA

Signalstrøm / Signal:

Normal / Normal : 35 mA

Alarm / Alarm : > 50 mA

Beskyttelsesgrad / Degree of protection : IP 66

Arbeidstemperatur / Working temperature : - 20°C to + 70°C

Fuktighet (ikke kond.)/ Humidity (non condensing) : Max. 95 % R.H.

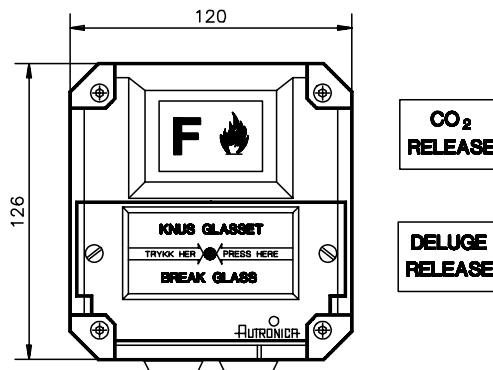
Kabelinnføring / Cable inlets : 2 x M20

Vedlikehold / Maintenance : Ingen/None

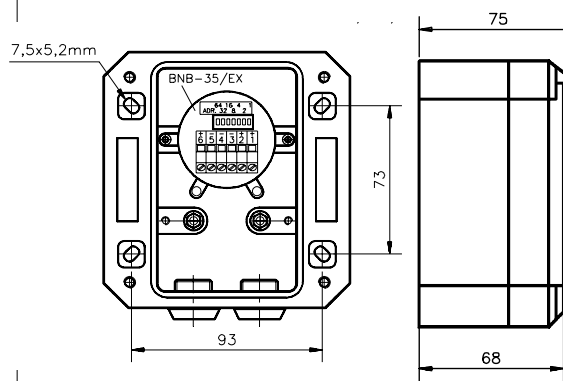
Service / Service : Ingen/None

Dimensjoner / Dimensions:

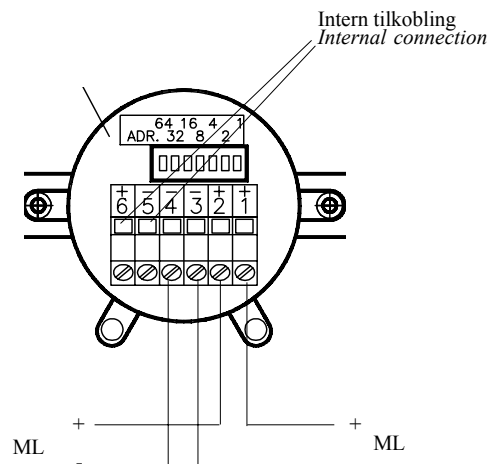
FRONT VIEW



SIDE VIEW



Tilkobling / Connection:



Subject to changes without notice / Med forbehold om endring uten forutgående varsel.

Autronica Fire and Security AS

Fire and Security, Trondheim, Norway. Phone: + 47 73 58 25 00, fax: + 47 73 58 25 01.

Oil & Gas, Stavanger, Norway. Phone: + 47 51 84 09 00, fax: + 47 51 84 09 99.

Autronica Industrial Ltd., Watford, United Kingdom. Phone: 1923 23 37 68, fax: 1923 22 55 77.