

# Manual

## Address Programmer EV-AD2

Before using, please read this manual carefully and use correctly.

If the EV-AD2 is modified or dismantled, this will invalidate any warranty.

Before use, please read this manual so that you use the EV-AD2 correctly.

Keep this manual where it is easily accessible.

### CAUTION!

If the EV-AD2 is used incorrectly, there is a possibility of injury or damage to property.

- Use only the power supply specified. Use of any other power supply could cause equipment damage, electric shock or fire.
- The EV-AD2 must be switched [OFF] when connecting or disconnecting the battery.
- Do not dismantle or modify the EV-AD2.
- Keep the EV-AD2 away from contact with water. It could cause equipment damage, electric shock and fire.
- Do not immerse the EV-AD2 in water.

### NOTICE!

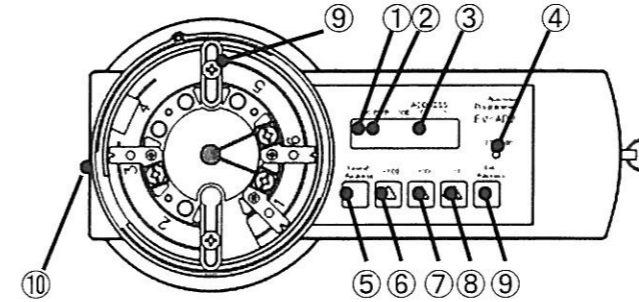
If the EV-AD2 is used incorrectly, the equipment could function incorrectly and property could be damaged.

- Avoid subjecting the EV-AD2 to excessive vibration or shock.
- If the EV-AD2 is to be stored for any length of time, the batteries should be removed from the compartment. This avoids the batteries leaking.
- Do not leave the EV-AD2 in direct sunlight, near hot surfaces, or in areas where magnetic or electromagnetic waves are generated.
- Do not mix batteries of different types or capacity.
- Avoid using in conditions of extreme humidity or temperature.

## 1. Description

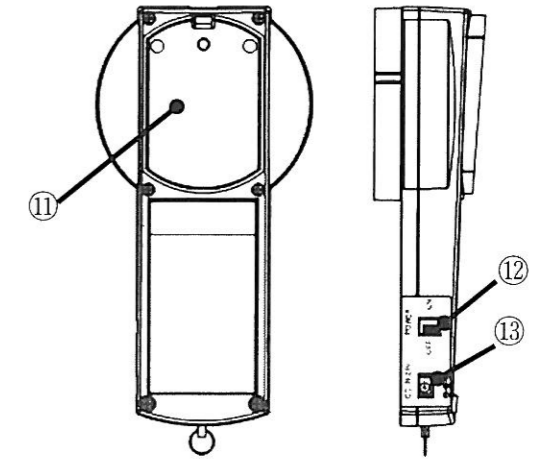
The EV-AD2 address programmer is used to set the address of analogue addressable devices using the Evolution communications protocol.

## 2. Part name and function



【Display, Controller】

①	Completed LED (Green)	Lit when programming of new address is completed.
②	ERROR LED (Orange)	Lit when programming of new address could not be completed.
③	7segment LED	This display s the address, customer code or type code.
④	POWER LED (Green)	When the power switch is ON, this LED will be lit. If the programmer is reporting "Low battery", it will blink.
⑤	SEARCH SW	To start transmission and find the address of the detector / module.
⑥	+100 SW	Increase address by one hundred
⑥	+10 SW	Increase address by ten.
⑦	+1 SW	Increase address by one.
⑧	SET SW	To write the address into the device
⑨	Base	For connecting the detector
⑩	RJ45 Socket	For connecting the module



【Bottom Battery box】

【Side Switch】

⑪	Battery Box	Battery compartment for PP3 non-rechargeable alkaline batteries
⑫	POWER SW	To turn the EV-AD2 ON or OFF.
⑬	Plug adaptor	For the AC power unit (not supplied)

## 3. STAND-BY MODE

EV-AD2 will switch to STAND-BY MODE for saving battery power if there is no key operation for more than one minute after finishing changing address of device.

During the STAND-BY MODE, 7segment is blank. Power LED is lit.

To return EV-AD2 from STAND-BY MODE press any key.

## 4. Instruction

- EV-AD2 requires two 9v PP3 batteries.
  - Before inserting the batteries, confirm the EV-AD2 is switched off and check polarity of battery, or damage could result.
- Turn the power switch ON.
  - For one second, all LED's are lit and the buzzer sounds.
- Plug the device onto the base.
- Press the [Search] Key
  - Buzzer sounds, then the EV-AD2 starts transmitting to the detector.
  - Do not remove the detector when transmitting, or damage could result.
- The 7 segment LED reads [Customer code], [Type of detector], [Address] in turn.
  - The buzzer sounds, ERROR LED lights and the 7 segment LED display's an ERROR CODE when an unsupported or defective device is connected.

Nittan Company, Limited  
11-6, 1-chome, Hatagaya, Shibuya-ku, Tokyo  
151-8535, Japan

Telephone +81 (0) 3 3468 1127

Fax +81 (0) 3 3468 1129

Nittan (UK) Limited  
Hiple Street, Old Woking, Surrey, GU22 9LQ,  
United Kingdom

Telephone +44 (0) 1483 769 555

Fax +44 (0) 1483 756 686

