



Conventional Marine Manual Call Point

FUNCTION

The Conventional Marine Manual Call Point has been designed to operate on conventional marine fire detection systems.

FEATURES

The Manual Call Point has an easily resettable element rather than a break glass. This call point is supplied with a backbox for surface mounting.

It also features a unique 'Plug and Play' installation concept designed specifically to reduce installation time. The call point utilises a terminal block, where all installation cabling is terminated.

The red Manual Call Point is approved to EN54-11 standard and Marine Equipment Directive 96/98/EC.

MECHANICAL CONSTRUCTION

The component parts of the call point are moulded in polycarbonate or ABS, depending on their function.

DIMENSIONS AND WEIGHT

Indoor	93mm x 89mm x 59.5mm	180g
Outdoor	93mm x 97.5mm x 71mm	350g

OPERATING PRINCIPLES

The Manual Call Point consists of a 470Ω resistor in series with a normally open switch contact.



Part nos. 55100-021MAR (Marine Indoor - Red)
55100-022MAR (Marine Outdoor - Red)

The Manual Call Point helps reduce installation time as all the initial installation cabling is wired to a terminal block which connects neatly to the call point.

Once activated, the manual call point can be reset by inserting the test key into the bottom of the unit until the key clicks into position. Remove the test key and push the front cover up until it clicks home.

EMC DIRECTIVE 2004/108/EC

The Manual Call Point complies with the essential requirements of the EMC Directive 2004/108/EC, provided that it is used as described in this PIN sheet.



Overseas offices:
America China Germany Ireland

36 Brookside Road, Havant,
Hampshire, PO9 1JR, UK.

A HALMA COMPANY

Tel: +44 (0)23 9249 2412
Fax: +44 (0)23 9249 2754

Email: sales@apollo-fire.co.uk
Web: www.apollo-fire.co.uk

A copy of the Declaration of Conformity is available from Apollo on request.

Conformity of the Manual Call Point with the EMC Directive does not confer compliance with the directive on any apparatus or systems connected to it.

TECHNICAL DATA

Maximum Supply voltage 30VDC
 Switch Rating 2A

Operating temperature
 Indoor -10°C to +55°C
 Outdoor -25°C to +70°C

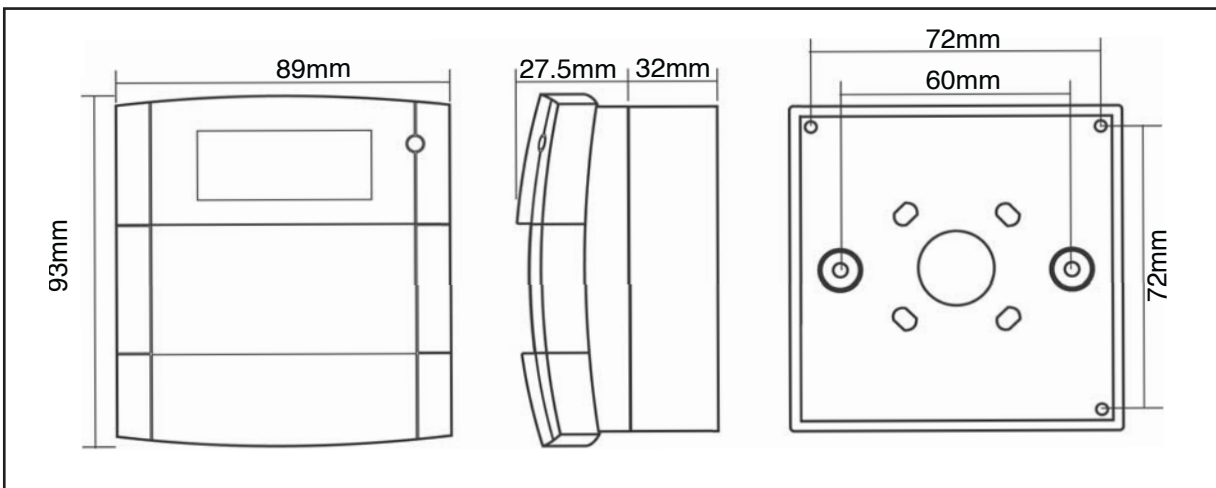
Humidity (no condensation) 0-93 ±3%(Ind/Out)

IP rating
 Indoor 24D
 Outdoor 67

Complies with EMC Directive 2004/108/EC
 Complies with EN54-11:2001
 Complies with Marine Equipment Directive 96/98/EC

DIMENSIONAL DRAWING

INDOOR



OUTDOOR

