

Zener barrier isolator

Salwico ES-2K

Part no. 46460



System: Salwico fire alarm systems CS3000, CS3004

Description

The ES-2K is an isolator for zener barriers. It is connected between the address unit AE-2K/I and the zener barrier. Together these three units are used as an intrinsically safe interface for the Salwico fire alarm systems CS3000 and CS3004.

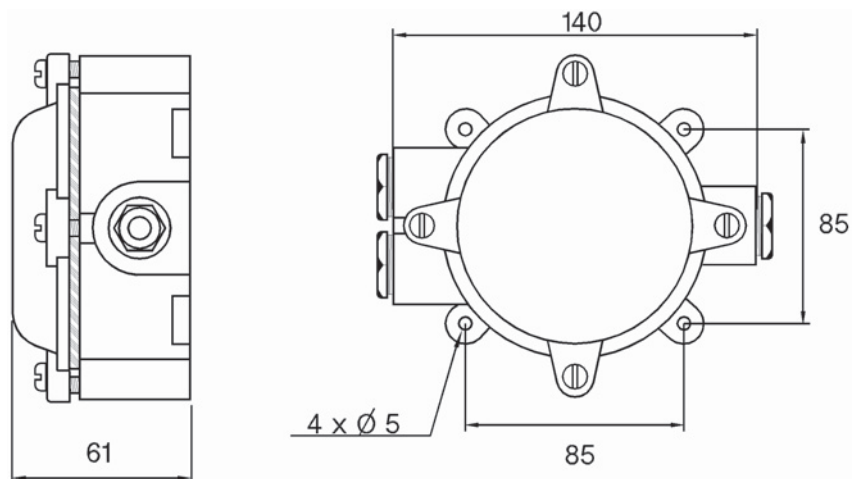
This intrinsically safe interface can be used for IS units, such as manual call points, heat and smoke detectors, in areas classified as zone 0, 1 or 2.

NB! The classification society might have other installation requirements.

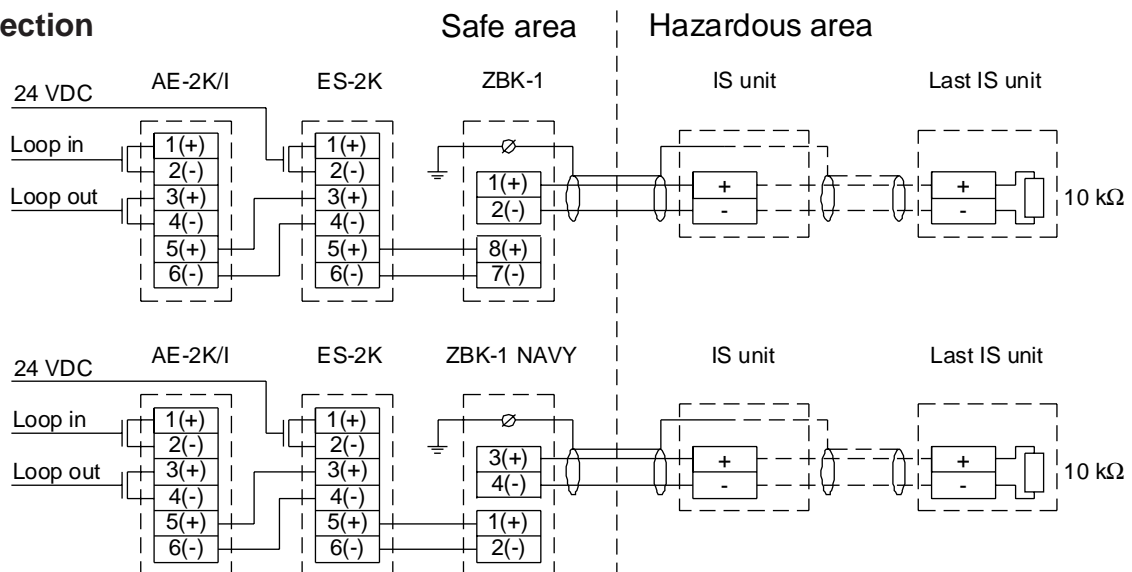
Data

| | |
|--------------------|----------------------|
| Power input | 24 VDC (18-30 VDC) |
| Operating current | ~15-65 mA (idle/max) |
| Cable diameter | Ø7-13 mm |
| Cable terminals | 1.5 mm ² |
| Ingress protection | IP56 |
| Material | Aluminium |
| Colour | White |
| Weight | ~585 g |

Dimensions (mm)



Connection



Specifications may be subject to change for improvement without prior notice

Data sheet no: 46460.03.1.E



Consilium Marine AB

P.O. Box 8763, SE-402 76 Göteborg, Sweden
 Phone +46 31 710 77 00 Fax +46 31 710 78 00
 www.consilium.se