



G002262

Conventional Dual Infrared Flame Detector

Salwico EVC-IR

Part no. 5200039-00A

System: All Salwico fire alarm systems

General description

Salwico EVC-IR is an Evolution conventional flame detector with dual infrared wavelength sensors. Traditional UV and IR flame detectors, in their singular form, are susceptible to unwanted alarms. These false alarm sources differ for each type of flame detector; however with dual infrared detector both elements must receive an alarm signal prior to initiating a fire alarm signal to the fire control panel.

The low profile combined with the Omniview™ alarm indication makes the detector suitable for sites with high architectural requirements.



NOTE!


Detector EVC-IR sometimes requires special base, with built-in serial resistor; see separate document "Base Matrix".

Testing

For functional test, use Salwico IR Test lamp, part no. 001156.

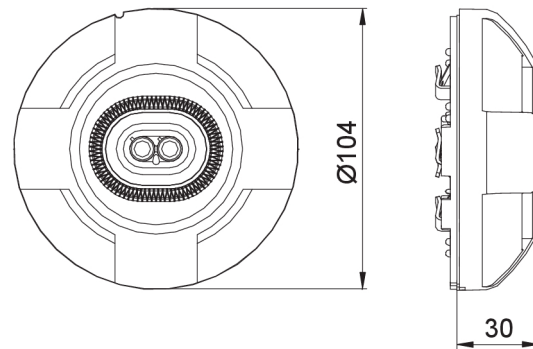
Data

Function	Conventional
Nominal voltage	24 VDC
Working voltage	10–32 VDC
Working current	< 130 μ A
Alarm current	Max 65 mA
Sensor viewing angle	100° Max (\pm 50°)

Current for remote indication	Max 2 mA
Ingress protection	Depending on base
Relative humidity	\leq 95% RH non-condensing
Temperature range	-25°C to +70°C
Certified according to	 2831-yy yy = year of production
Cover material	ABS/PC alloy
Colour	White
Weight	~130 g

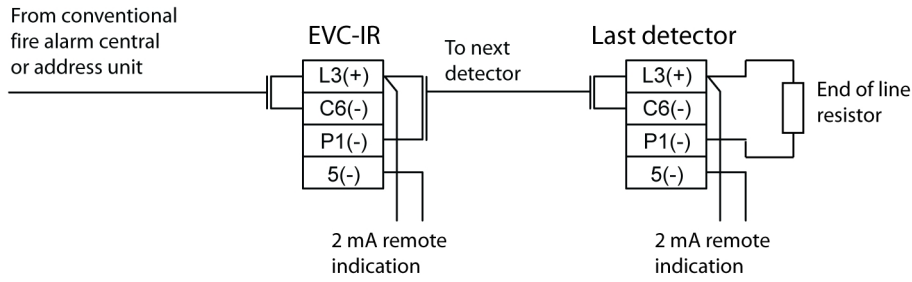
For information about suitable base plates, see separate document "Base Matrix".

Dimensions (mm)



G002264

Connection



G002266

Figure 1. Connection for EVC-IR

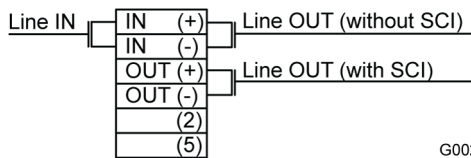
Communication with an addressable fire alarm central

This unit is normally installed together with base EV-SPB-BI to add the functionality to communicate with an addressable fire alarm central.



Hint!

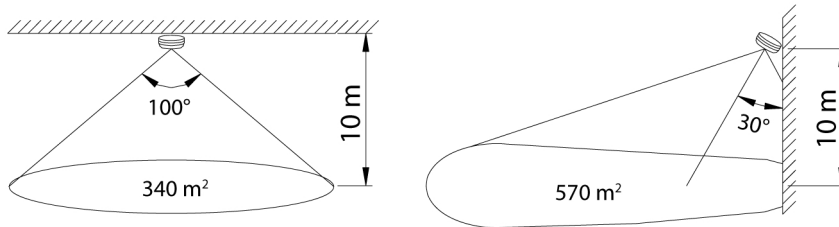
For more information please check the EV-SPB-BI datasheet.



G002363

Figure 2. Connection for EV-SPB-BI

Installation



G002342

Preventive measures



CAUTION!

The flame detector is sensitive to and may have false alarms or no response when exposed to the following false stimuli; electric heater; incandescent light, halogen light and direct sunlight.

Avoid the detector to be exposed for these false stimuli sources.