



G002280

Conventional Intrinsically Safe Optical Smoke Detector

Salwico *EVC-PY-IS*

Part no. N1144

System: All Salwico fire alarm systems

General description


Salwico EVC-PY-IS is an intrinsically safe Evolution conventional optical smoke detector.

The detector is equipped with an optical sensor with improved sensitivity to black smoke.

The detector is designed for use in areas with high explosion risk. It is connected to the fire alarm system via an intrinsically safe interface.

To avoid the possible risk of electrostatic charge, the unit must not be cleaned with solvents or charged by rubbing.

Data

Nominal voltage	24 VDC
Working voltage	10–32 VDC
Working current	< 50 μ A
Alarm current	50 mA
Ingress protection	Depending on base
Relative humidity	\leq 95% RH Non-condensing
Temperature range	-20°C to +50°C
Classification	EN54-7:2000
Certification	IECEX ITS 12.0074X ITS09ATEX26418X
Certified according to	 2531/yyyy yyyy = year of production
Cover material	ABS
Colour	White
Weight	120 g \pm 5%


For information about suitable base plates, see separate document "Base Matrix".



NOTE!

Do not remove the dust cover from the detector until all polluting (dusty) activities are finished and the area has been cleaned.

Safety data

Max input voltage (U_i)	28 V
Max input current (I_i)	93.3 mA
Max input power (P_i)	0.66 W
Max internal capacitance (C_i)	1 nF
Max internal inductance (L_i)	Negligible
Ex class	 II 1 G Ex ia IIC T4 Ga -20°C \leq T _a \leq +50°C

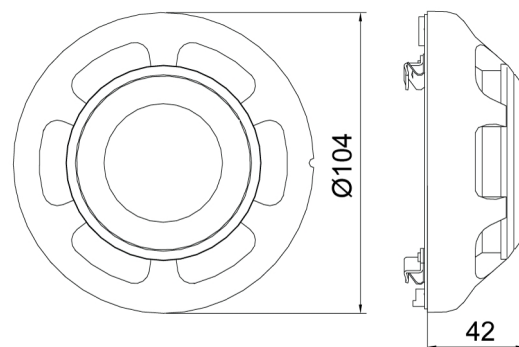


WARNING!

Potential electrostatic charging hazard

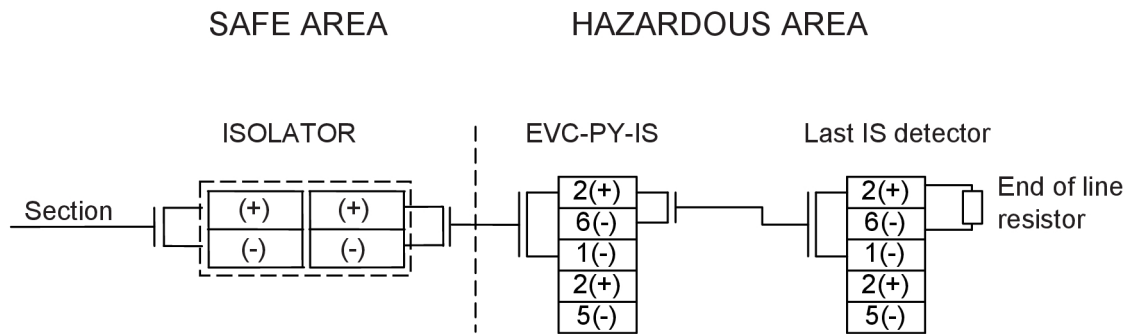
- Do NOT clean with solvents.
- Do NOT charge by rubbing.
- Clean ONLY with a damp cloth.

Dimensions (mm)



G002274

Connection



G018723

NITTAN NITTAN (UK) LTD, HIPLEY STREET, OLD WOKING, SURREY, ENGLAND. **UB-4-IS & EV-SPB-IS BASE INSTALLATION INSTRUCTION SHEET**

TEL: +44 (0) 1483 769555 FAX: +44 (0) 1483 756686
 E-MAIL: sales@nittan.co.uk WEBSITE: www.nittan.co.uk

HAZARDOUS AREA

A) Apparatus which is unsupervised except that it must not be supplied from nor contain in normal or abnormal conditions a source of potential with respect to earth in excess of 250 volts d.c.

B) Any single channel shunt zero-fault safety barrier or single channel of a dual shunt zero safety barrier certified by any EEC Approved Certification Board to (Exe to) IEC having the following or lower output parameters:-

$U_i = 28V$ $I_i = 93.3mA$
 $I_o = 28V$ $P_i = 0.6W$
 $I_o = 93.3mA$ $P_o = 0.66W$
 $C_i = 1\mu F$

In any safety barrier used the output current must be limited by a resistor 'R' such that $I_o = U_z/R$ or

One of the following isolators:-

- 1) XTL5061 DC Isolator (BAS01ATEX7160)
- 2) MTL4061 Two channel 1 wire & Smoke detector interface (BAS01ATEX7176)
- 3) KFDG-CS-EX-1.54 Isolator (BAS00ATEX7087X)
- 4) KFDU-CS-EX-2.54 Isolator (BAS00ATEX7087X)
- 5) KFDU-CS-EX1-21P Isolator (BAS98ATEX7345)
- 6) KFDU-CS-EX2-22P Isolator (BAS98ATEX7345)

C) Up to 20 Type EVC-PY-IS optical smoke detectors and type UB-4-IS or EV-SPB-IS Bases (Certificate No. ITS09ATEX26418X).

D) An optional RIL circuit, comprising an LED, two diodes and a resistor, may be connected to terminals 2 and 5 of a smoke detector and mounting base. The surface area of the RIL circuit components must be greater than 20mm². The RIL circuit may be considered to

H) A durable label as shown below, to be affixed at the interface of the IS and non-IS circuits.

GROUP	CAPACITANCE IN μF	INDUCTANCE IN mH	OR	L/R RATIO IN $\mu H/Ohm$
IIC	0.083	3.05		46
IIB	0.650	9.15		200
IIA	2.15	24.4		360

Origin No.
 Ex Ia IIC T_a = 0°C

I) The electrical circuit in the hazardous area must be capable of withstanding an a.c. test voltage of 500V rms to earth or frame of the apparatus.

© NITTAN (UK) LTD. SUBJECT TO OUR WITHOUT NOTICE ENVOYÉES BASE CONNECTIONS ISSUE 1 (4/19) (SHEET 1 OF 1) Description: Base for use with intrinsically Safe EVC-PY-IS Smoke detector

Particulars:

PART No. 102251	CURRENT ISSUE 1	REMOVE ALL BURRS DIMMS IN MM
DRG. NO. 102251	SHEET OF	
TITLE EVC-PY-IS SYSTEM CONNECTION DIAGRAM		

Technical Data:

TOLERANCES UNLESS OTHERWISE STATED	SCALE
DECIMALS ± 0.1	ANGLES $\pm 0.5^\circ$

Administrative:

DRAWING: A. Clark	FILE REF: 102251
APPROV: M. N. Schaefer	

Compliance:

Certified product
 No modifications permitted without reference to notified body

Company Information:

	DATE 04/03/10	ISSUE 1	N/A
NITTAN (UK) LTD.			

G018741