

K-Chief 600 Marine Automation System

Control Room Panel



KONGSBERG

The Control Room Panel (CRP) is a specially designed operator panel for the K-Chief 600 Marine Automation System. The CRP panel is designed for easy access and operation of the K-Chief 600 system.

Typical operational processes are to display a new image on the Operator Station's monitor or to act upon an element within an image. This is normally done using the CRP trackball in combination with associated panel buttons, to point at and activate symbols and menus.

The panel layout is grouped into separate functional areas:

- Alarms
- Panel
- Command
- Input

The **Alarms group** contains three lamps and three buttons that are used to indicate, acknowledge and handle alarms and events.

The **Panel group** contains status lamps. The Power lamp is lit green when power is ON. The Fault lamp is lit red when a panel has lost communication with the host computer.

The **Command group** contains three buttons. To open the command control dialogue box easy and fast, use the CMD CTRL button. The 1 and 0 buttons allows the operator to start and stop pumps/valves/compressors in an efficient way.

The **Input group** contains function, numeric, alphanumeric and cursor control buttons.



The mechanical trackball comprises three mouse buttons and a movable ball. The movable ball is used to position the cursor on the monitor screen.

The buttons are used to select symbols, open and operate menus, click buttons in the views and dialogue boxes and to open pop-up short-cut menus.

The built-in buzzer is used to generate a sound when a new alarm occurs. The buzzer will also indicate other events, for example when power is lost or during command control actions.

Control Room Panel functions comprise:

- Easy navigation through the K-Chief 600 user interface
- Alarm and unacknowledged alarm indication

- Remote sound off
- Internal self-check with alarm
- Trackball, three-button type with four integrated arrow buttons
- Power indication
- Protected USB connection in front for easy connection of external device
- Status LEDs, internal and external dimmable
- Easy installation from the top of the console
- I/O for interfaces

The Control Room Panel is used in well-lit environments, for example in the Engine Control Room, and has therefore no background lightning.

The Control Room Panel is designed for various methods of installation, but is primarily intended for mounting into a console. It is mounted using four bolts, one in each corner of the frame.

Technical specifications

Supply voltage

- 18 to 32 Vdc $\pm 5\%$ ripple

Isolation

- Power: Fully isolated via DC/DC converter
- I/O: Dry contact DO/DI chassis used as 0 Volt reference

Power consumption

- 20 W maximum, depending on equipment connected to USB port
- 10 W nominal

IP Code

- IP22

ENV properties

- IACS E10
- IEC 60945

Shock and vibration

- IACS E10
- IEC 60945

Operational temperature

- $-25\text{ }^{\circ}\text{C}$ to $+70\text{ }^{\circ}\text{C}$

Storage temperature

- $25\text{ }^{\circ}\text{C}$ to $+70\text{ }^{\circ}\text{C}$ in a dry area with approximately 70 % humidity

Max relative humidity

- RH 96% non-condensing

Signal types

- 2 channels relay output, changeover contacts, max. 3A 24 Vdc inductive load
- 4 channels digital inputs dry contacts
- 2 channels analogue input 0 to 5 V for dimming
- 1 channel PWM output for dimming of other equipment

Accuracy

- Analogue input $\pm 1\%$

Communication

- USB2 HID

Mounting

- From top

Housing

- Aluminium

Weight of unit

- 1.3 kg

Dimensions

- Width: 240 mm
- Height: 192 mm
- Depth: 80 mm

Panel cut-out

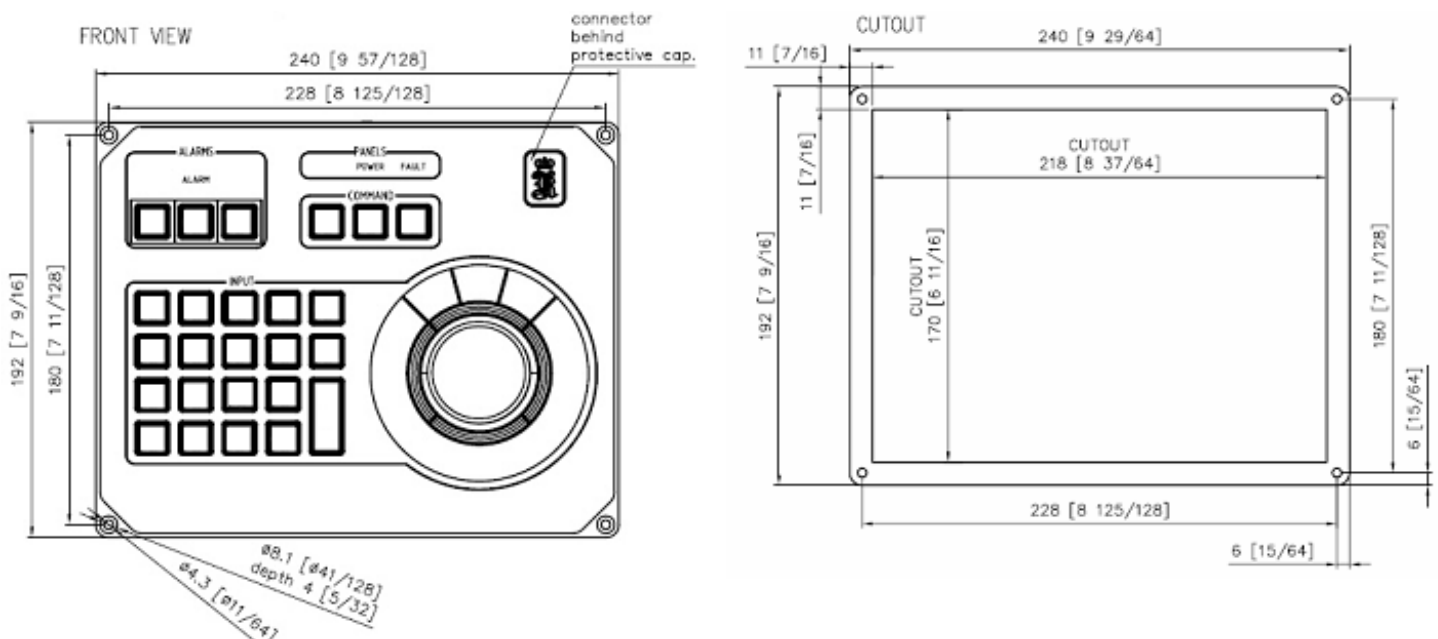
- See separate drawing for details

BIST (Built In Self Test)

- Module temperature

Type approval

- DNV, LRS, BV, GL, RINA, NK, ABS, KR, RMR, CCS.
(allows direct mounting on engines, compressors, etc. in suitable cabinets)



Copyright © 2011 Kongsberg Maritime AS – All rights reserved
Specifications may be subject to change without prior notice

343168 / Rev. B

Kongsberg Maritime AS

Bekkajordet 8A
P.O.Box 1009
NO-3189 Horten
Norway

Telephone: +47 815 73 700
Telefax: +47 850 28 028
www.kongsberg.com
km.sales@kongsberg.com



KONGSBERG