

# MCR-FL-C-UI-2UI-DCI - Signal conditioner



2814854

<https://www.phoenixcontact.com/in/products/2814854>

Please be informed that the data shown in this PDF document is generated from our online catalog. Please find the complete data in the user documentation. Our general terms of use for downloads are valid.

MCR signal multiplier, for doubling and electrical isolation of analog signals, unconfigured



## Your advantages

- Calibrated selectable input and output signals
- 4-way isolation

## Commercial data

Item number	2814854
Packing unit	1 pc
Minimum order quantity	1 pc
Note	Made to order (non-returnable)
Sales key	CK1
Product key	CK1811
Catalog page	Page 130 (C-7-2015)
Weight per piece (including packing)	138.4 g
Weight per piece (excluding packing)	138.4 g
Customs tariff number	85437090
Country of origin	DE

# MCR-FL-C-UI-2UI-DCI - Signal conditioner



2814854

<https://www.phoenixcontact.com/in/products/2814854>

## Technical data

### Product properties

Product type	Signal duplicator
No. of channels	2

### Electrical properties

Electrical isolation between input and output	yes
Limit frequency (3 dB)	30 Hz
Maximum power dissipation for nominal condition	15 mW
Test voltage, input/output/supply	1.5 kV AC (50 Hz, 60 s)
Protective circuit	Transient protection
Step response (10-90%)	12 ms
Maximum temperature coefficient	< 0.015 %/K
Temperature coefficient, typical	0.0075 %/K
Maximum transmission error	≤ 0.15 % (of final value)
Transmission error, typical	0.05 % (of final value)

### Supply

Supply voltage range	20 V DC ... 30 V DC
Max. current consumption	< 25 mA

### Input data

#### Signal

Description of the input	Current input
Number of inputs	1
Configurable/programmable	Yes, preconfigured
Current input signal	0 mA ... 24 mA (freely selectable in 0.1 mA steps)
Max. current input signal	50 mA
Input resistance current input	50 Ω
Current measuring range	min. 8 mA
Supply voltage	24 V DC

#### Signal

Description of the input	Voltage input
Configurable/programmable	Yes, preconfigured
Voltage input signal	0 V ... 12 V (freely selectable in 0.1 V steps)
Max. voltage input signal	30 V
Input resistance of voltage input	200 kΩ
Voltage measuring range	min. 4 V

### Output data

Signal:

# MCR-FL-C-UI-2UI-DCI - Signal conditioner



2814854

<https://www.phoenixcontact.com/in/products/2814854>

Number of outputs	2
Configurable/programmable	Yes, preconfigured
Voltage output signal	0 V DC ... 10 V DC (refer to the order key)
	2 V DC ... 10 V DC
	0 V DC ... 5 V DC
	1 V DC ... 5 V DC
Max. voltage output signal	15 V
Load/output load voltage output	$\geq 10 \text{ k}\Omega$

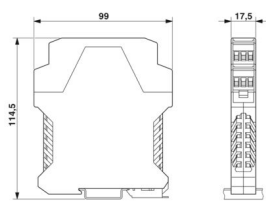
## Signal:

Configurable/programmable	Yes, preconfigured
Current output signal	0 mA ... 20 mA (refer to the order key)
	4 mA ... 20 mA
	0 mA ... 10 mA
Max. current output signal	35 mA
Load/output load current output	$\leq 600 \Omega$

## Connection data

Connection method	Screw connection
Stripping length	8 mm
Screw thread	M3
Conductor cross section rigid	0.2 mm <sup>2</sup> ... 2.5 mm <sup>2</sup>
Conductor cross section flexible	0.2 mm <sup>2</sup> ... 2.5 mm <sup>2</sup>
Conductor cross section AWG	24 ... 14

## Dimensions

Dimensional drawing	
Width	17.5 mm
Height	99 mm
Depth	114.5 mm

## Material specifications

Color	green (RAL 6021)
Housing material	Polyamide PA non-reinforced

## Environmental and real-life conditions

### Ambient conditions

Degree of protection	IP20
Ambient temperature (operation)	-25 °C ... 55 °C

# MCR-FL-C-UI-2UI-DCI - Signal conditioner



2814854

<https://www.phoenixcontact.com/in/products/2814854>

## Approvals

CE

Certificate	CE-compliant
-------------	--------------

UL, USA/Canada

Identification	Class I, Div. 2, Groups A, B, C, D or Non-Hazardous Locations
----------------	---

## Mounting

Mounting type	DIN rail mounting
Mounting position	any

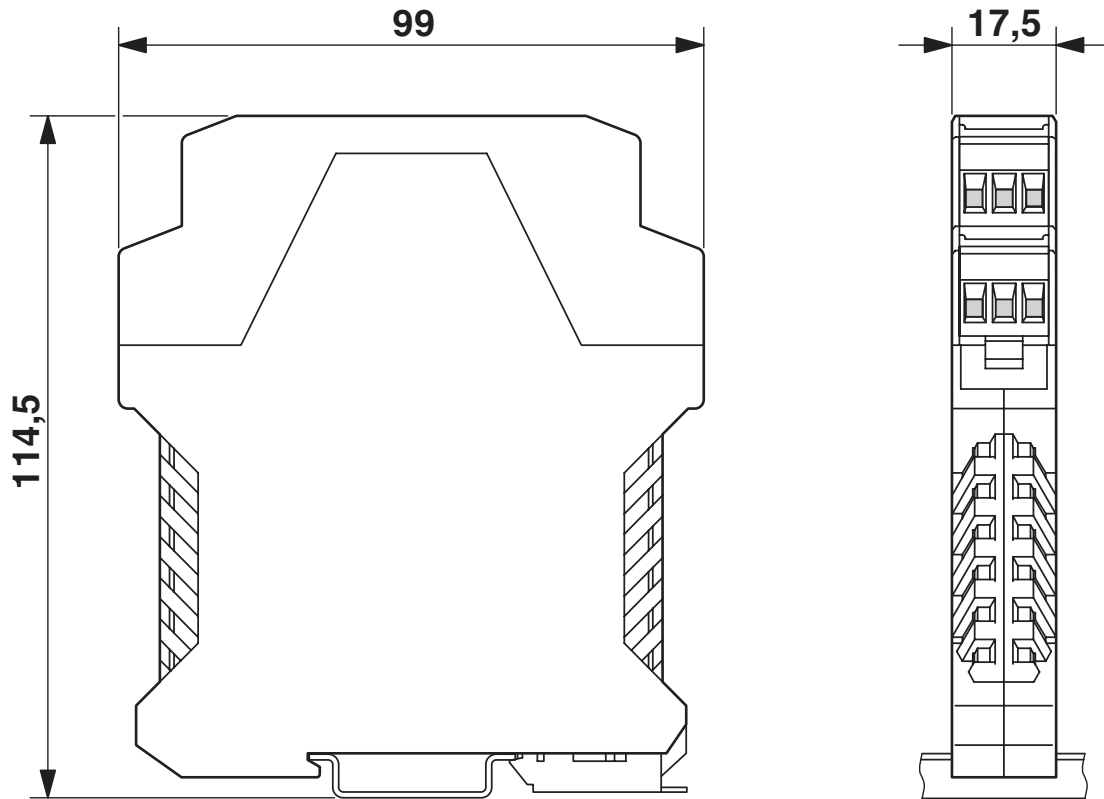
# MCR-FL-C-UI-2UI-DCI - Signal conditioner

2814854

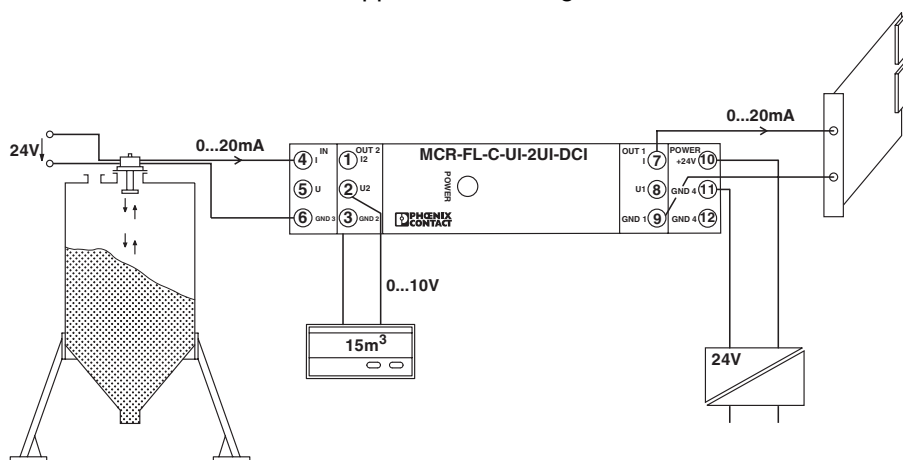
<https://www.phoenixcontact.com/in/products/2814854>

## Drawings

Dimensional drawing



Application drawing



Application example: - Level measurement with subsequent signal multiplication

1 = filling level sensor

2 = control

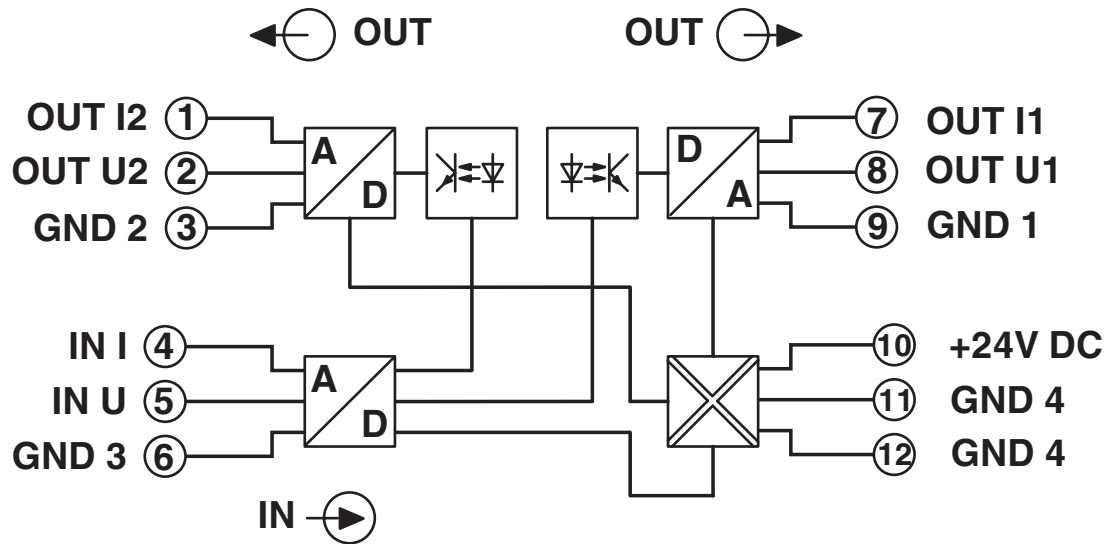
3 = mains voltage

# MCR-FL-C-UI-2UI-DCI - Signal conditioner

2814854

<https://www.phoenixcontact.com/in/products/2814854>

Circuit diagram



# MCR-FL-C-UI-2UI-DCI - Signal conditioner



2814854

<https://www.phoenixcontact.com/in/products/2814854>

## Environmental product compliance

### China RoHS

Environment friendly use period (EFUP)	EFUP-50
	An article-related China RoHS declaration table can be found in the download area for the respective article under "Manufacturer declaration". For all articles with EFUP-E, no China RoHS declaration table issued and required.

### EU REACH SVHC

REACH candidate substance (CAS No.)	No substance above 0.1 wt%
-------------------------------------	----------------------------

Phoenix Contact 2024 © - all rights reserved

<https://www.phoenixcontact.com>

PHOENIX CONTACT (I) Pvt. Ltd.

A-58/2, Okhla Industrial Area, Phase - II, New Delhi-110 020

+91.1275.71420

[info@phoenixcontact.co.in](mailto:info@phoenixcontact.co.in)