

EMG 37-RELS/K2-G 24 - Relay base



2946719

<https://www.phoenixcontact.com/ca/products/2946719>

Please be informed that the data shown in this PDF document is generated from our online catalog. Please find the complete data in the user documentation. Our general terms of use for downloads are valid.



Relay module with plug-in base for KAMMRELAIS® size 2, contact: F 104, 2 changeover contacts, input voltage 24 V DC ... 48 V DC, with LED display, freewheeling and polarity protection diode

Commercial data

Item number	2946719
Packing unit	1 pc
Minimum order quantity	1 pc
Note	Made to order (non-returnable)
Sales key	CK06
Product key	CK6131
Catalog page	Page 102 (IF-2002)
GTIN	4017918082352
Weight per piece (including packing)	90.09 g
Weight per piece (excluding packing)	90.09 g
Customs tariff number	85364100
Country of origin	DE

EMG 37-RELS/K2-G 24 - Relay base



2946719

<https://www.phoenixcontact.com/ca/products/2946719>

Technical data

Product properties

Insulation characteristics

Overvoltage category	III
Pollution degree	2

Input data

Nominal input voltage U_N	24 V DC
-----------------------------	---------

Connection data

Input side

Connection method	Screw connection
Stripping length	8 mm
Screw thread	M3
Conductor cross section rigid	0.2 mm ² ... 4 mm ²
Conductor cross section flexible	0.2 mm ² ... 2.5 mm ²
Conductor cross section AWG	24 ... 12

Output side

Connection method	Screw connection
Stripping length	8 mm
Screw thread	M3
Conductor cross section rigid	0.2 mm ² ... 4 mm ²
Conductor cross section flexible	0.2 mm ² ... 2.5 mm ²
Conductor cross section AWG	24 ... 12

Dimensions

Width	37.5 mm
Height	75 mm
Depth	82.5 mm

Material specifications

Color	green (RAL 6021)
Insulating material	PC-F

Environmental and real-life conditions

Ambient conditions

Ambient temperature (operation)	-20 °C ... 50 °C
Ambient temperature (storage/transport)	-20 °C ... 70 °C

Standards and regulations

IEC 60664

EMG 37-RELS/K2-G 24 - Relay base



2946719

<https://www.phoenixcontact.com/ca/products/2946719>

Standards/regulations	IEC 60664A
	DIN VDE 0110
	DIN VDE 0109-11, draft
	DIN EN 50178/VDE 0160 (in relevant parts)

Mounting

Mounting type	DIN rail mounting
Assembly instructions	in rows with zero spacing
Mounting position	any

EMG 37-RELS/K2-G 24 - Relay base

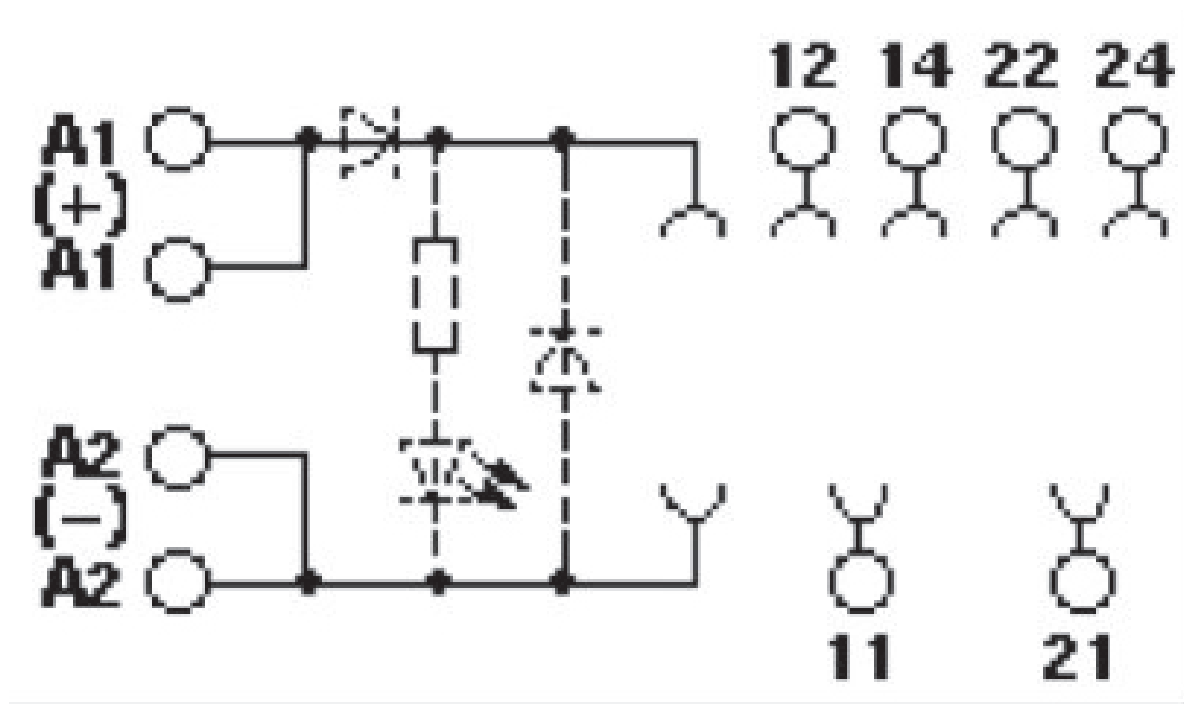


2946719

<https://www.phoenixcontact.com/ca/products/2946719>

Drawings

Circuit diagram



EMG 37-RELS/K2-G 24 - Relay base



2946719

<https://www.phoenixcontact.com/ca/products/2946719>

Classifications

ECLASS

ECLASS-11.0	27371603
-------------	----------

EMG 37-RELS/K2-G 24 - Relay base



2946719

<https://www.phoenixcontact.com/ca/products/2946719>

Environmental product compliance

EU RoHS

Fulfills EU RoHS substance requirements	Yes, No exemptions
---	--------------------

China RoHS

Environment friendly use period (EFUP)	EFUP-50
	An article-related China RoHS declaration table can be found in the download area for the respective article under "Manufacturer declaration". For all articles with EFUP-E, no China RoHS declaration table issued and required.

EU REACH SVHC

REACH candidate substance (CAS No.)	No substance above 0.1 wt%
-------------------------------------	----------------------------

EMG 37-RELS/K2-G 24 - Relay base



2946719

<https://www.phoenixcontact.com/ca/products/2946719>

Accessories

EMG-GKS 12 - Marking material

2947035

<https://www.phoenixcontact.com/ca/products/2947035>



Device marking label, width: 12 mm, area: 12 x 8 mm, e.g. for EML(10x7) R adhesive marking material

Phoenix Contact 2024 © - all rights reserved
<https://www.phoenixcontact.com>

PHOENIX CONTACT Ltd
8240 Parkhill Drive
Milton, Ontario L9T 5V7
1-800-890-2820
cdinfo@phoenixcontact.ca