

# SD-D/SC/LA - Socket

2964898

<https://www.phoenixcontact.com/in/products/2964898>

Please be informed that the data shown in this PDF document is generated from our online catalog. Please find the complete data in the user documentation. Our general terms of use for downloads are valid.



Control cabinet socket, for mounting on DIN rails and in the service interface, with screw connection, with light indicator, housing color: green, national version: D

## Commercial data

Item number	2964898
Packing unit	5 pc
Minimum order quantity	5 pc
Sales key	BE7
Product key	BE7611
Catalog page	Page 540 (C-5-2015)
GTIN	4017918190651
Weight per piece (including packing)	78.106 g
Weight per piece (excluding packing)	78.106 g
Customs tariff number	85366990
Country of origin	GR

## Technical data

### Product properties

Product type	Socket
For country-specific use in	D

### Electrical properties

Nominal voltage $U_N$	250 V AC
Nominal current $I_N$	16 A

### Connection data

Connection method	Screw connection
Stripping length	8 mm
Tightening torque	0.5 ... 0.8 Nm
Conductor cross section flexible	0.2 mm <sup>2</sup> ... 2.5 mm <sup>2</sup>
Conductor cross section rigid	0.2 mm <sup>2</sup> ... 4 mm <sup>2</sup>
Cross section AWG	24 ... 12
Screw thread	M3

### Signaling

Status display	Glow lamp or LED with preresistor
----------------	-----------------------------------

### Dimensions

Width	45 mm
Height	75 mm
Depth	65.2 mm

### Material specifications

Color	green
Insulating material	PA
Contact material	CuZn37

### Environmental and real-life conditions

#### Ambient conditions

Degree of protection	IP20
Ambient temperature (operation)	-20 °C ... 60 °C
Ambient temperature (storage/transport)	-20 °C ... 60 °C

### Standards and regulations

#### Standards

Standards/regulations	IEC 83
	DIN 49440-1

# SD-D/SC/LA - Socket

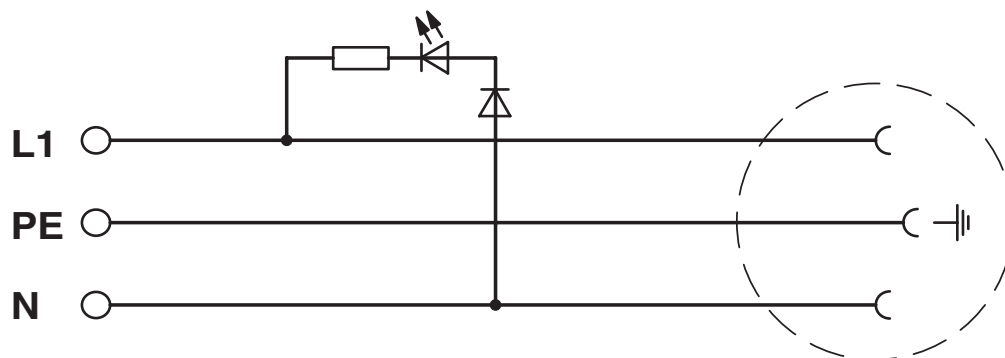
2964898

<https://www.phoenixcontact.com/in/products/2964898>



## Drawings

Circuit diagram



# SD-D/SC/LA - Socket



2964898

<https://www.phoenixcontact.com/in/products/2964898>

## Environmental product compliance

### EU RoHS

Fulfills EU RoHS substance requirements	Yes
Exemption	6(c), 7(a)

### China RoHS

Environment friendly use period (EFUP)	EFUP-50
	An article-related China RoHS declaration table can be found in the download area for the respective article under "Manufacturer declaration". For all articles with EFUP-E, no China RoHS declaration table issued and required.

### EU REACH SVHC

REACH candidate substance (CAS No.)	Hexahydromethylphthalic anhydride(CAS: n/a)
	Lead(CAS: 7439-92-1)

Phoenix Contact 2024 © - all rights reserved

<https://www.phoenixcontact.com>

PHOENIX CONTACT (I) Pvt. Ltd.

A-58/2, Okhla Industrial Area, Phase - II, New Delhi-110 020

+91.1275.71420

[info@phoenixcontact.co.in](mailto:info@phoenixcontact.co.in)