

POWER SUPPLY MODULE - BSS-310A

AutoSafe interactive fire detection system
Product Datasheet

Features

- Provides 24 VDC and 5 VDC regulated voltage to all panel mounted I/O modules
- Easily plugged onto a standard mounting rail
- Designed to meet EN 54 requirements and conforms to CE standards

Description/Application

The power supply module BSS-310A converts unregulated battery voltage to 24 VDC and 5 VDC regulated voltage for all I/O modules mounted in the fire alarm control panel/controller.

Connecting several power modules in parallel increases power to the attached units.

Mounting

The power supply module is always delivered with the fire alarm control panel/controller.

The module is easily plugged onto a mounting rail - as the first module is placed at the bottom of the rail - inside the fire alarm control panel/controller.

Cabling

Two wires are used for the internal connection between the connection block on the BSS-310A and the terminals on the connection module BSF-310A.

Refer to connection drawing/schematics in this datasheet.



Related Drawing

No modifications permitted
without reference to
EX responsible

Product Name	Part number	Description
BSS-310A	116-BSS-310A	Power supply module

Technical specifications	
Dimensions (mm)	95x89x32
Weight (g)	81
Housing material	Plastic cover
Mounting	DIN Rail mounting
Colour	Grey
Electrical connection	Internal system: plug in connection Removable screw terminals (maximum cable dimension 2,5mm ²)
Mounting	Onto a standard 35 mm mounting rail inside the Fire alarm control panel or Controller.
Current consumption (idle)	40mA
Maximum output power, 24V regulated	840mA
Maximum output power, 5V	400mA
Input voltage	18-32 VDC
24V output	24V +/- 5%
5V output	5V +/- 5%
Operating temperature range	-5 - +55 °C
Storage temperature range	-10 - +85 °C
Approvals	www.autronicafire.com

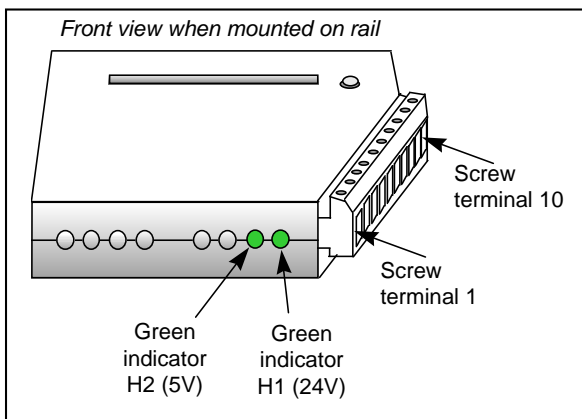
Connections/indicators

The module has two green indicators;

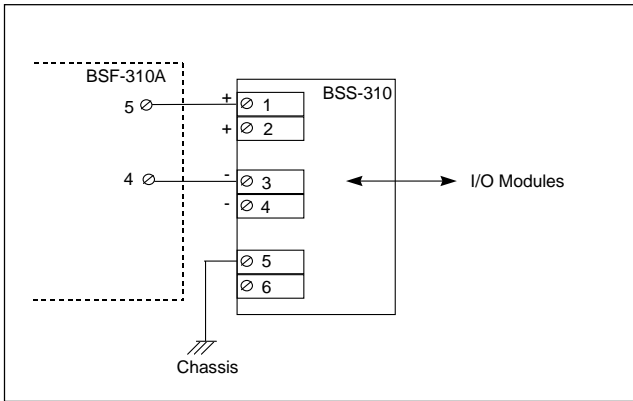
- Right green indicator (H1) - the presence of 24 VDC
- Left green indicator (H2) - the presence of 5 VDC

BSS-310A has the following connections:

Screw terminal no.	Signal
1	+24 V input
2	+24 V input
3	0 V input
4	0 V input
5	Chassis
6	Chassis
7	Not in use
8	Not in use
9	Not in use
10	Not in use



Installation overview



Schematics

