

POSITION SWITCH, METAL-ENCLOSED SNAP-ACTION CONTACTS 1NO+1NC, ROLLER LEVER, 1 X M20 X 1.5



product designation	position switch	
suitability for use safety switch	Yes	
General technical data		
protection class IP	IP67	
reference code according to IEC 81346-2	B	
active principle	mechanical	
Substance Prohibitance (Date)	07/01/2006	
Weight	0.206 kg	
length of the sensor	121.5 mm	
width of the sensor	40 mm	
Ambient conditions		
ambient temperature	-30 ... +85 °C	
• during operation		
explosion protection category for dust	none	
design of the switching contact	mechanical	
number of NC contacts for auxiliary contacts	1	
number of NO contacts for auxiliary contacts	1	
Enclosure		
design of the housing	design complying with EN 50041	
material of the enclosure	metal	
coating of the enclosure	painted	
design of the housing according to standard	Yes	
Drive Head		
design of the actuating element	roller lever	
design of the switching function	positive opening	
circuit principle	snap-action contacts	
number of switching contacts safety-related	1	
Installation/ mounting/ dimensions		
fastening method	screw fixing	
Connections/ Terminals		
type of electrical connection	screw terminal	
design of the interface for safety-related communication	without	
Communication/ Protocol		
design of the interface	without	
Approvals Certificates		
General Product Approval	Test Certificates	Marine / Shipping

[Confirmation](#)



[Miscellaneous](#)



other

Environment

[Confirmation](#)

[Environmental Confirmations](#)

Further information

Information on the packaging

<https://support.industry.siemens.com/cs/ww/en/view/109813875>

Information- and Downloadcenter (Catalogs, Brochures,...)

<https://www.siemens.com/ic10>

Industry Mall (Online ordering system)

<https://mall.industry.siemens.com/mall/en/en/Catalog/product?mlfb=3SE2120-1E>

Cax online generator

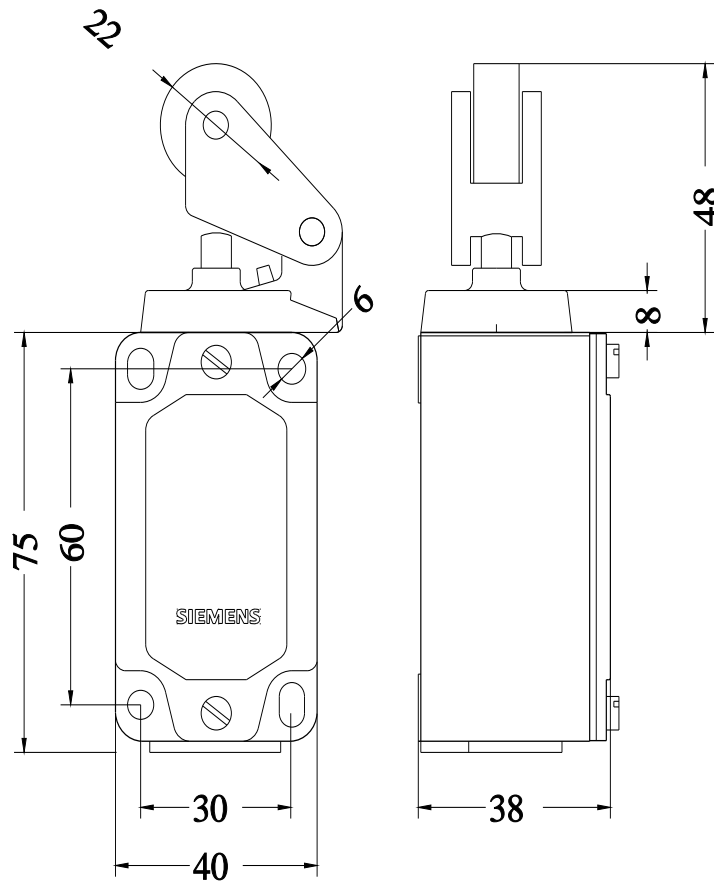
<http://support.automation.siemens.com/WW/CAXorder/default.aspx?lang=en&mlfb=3SE2120-1E>

Service&Support (Manuals, Certificates, Characteristics, FAQs,...)

<https://support.industry.siemens.com/cs/ww/en/en/ps/3SE2120-1E>

Image database (product images, 2D dimension drawings, 3D models, device circuit diagrams, EPLAN macros, ...)

http://www.automation.siemens.com/bilddb/cax_de.aspx?mlfb=3SE2120-1E&lang=en



last modified:

4/7/2024