

POSITION SWITCH, METAL-ENCLOSED SNAP-ACTION CONTACTS 1NO+1NC, ROLLER LEVER, 3 X M20 X 1.5



<b>product designation</b>	position switch	
suitability for use safety switch	Yes	
<b>General technical data</b>		
<b>reference code according to IEC 81346-2</b>	B	
<b>active principle</b>	mechanical	
<b>Substance Prohibittance (Date)</b>	07/01/2006	
<b>Weight</b>	0.236 kg	
<b>length of the sensor</b>	114 mm	
<b>width of the sensor</b>	56 mm	
<b>Ambient conditions</b>		
<b>ambient temperature</b>	-30 ... +85 °C	
• during operation		
<b>explosion protection category for dust</b>	none	
<b>design of the switching contact</b>	mechanical	
<b>number of NC contacts for auxiliary contacts</b>	1	
<b>number of NO contacts for auxiliary contacts</b>	1	
<b>Enclosure</b>		
<b>design of the housing</b>	block, wide	
<b>material of the enclosure</b>	metal	
<b>coating of the enclosure</b>	painted	
<b>design of the housing according to standard</b>	No	
<b>Drive Head</b>		
<b>design of the actuating element</b>	roller lever	
<b>design of the switching function</b>	positive opening	
<b>circuit principle</b>	snap-action contacts	
<b>number of switching contacts safety-related</b>	1	
<b>Installation/ mounting/ dimensions</b>		
<b>fastening method</b>	screw fixing	
<b>Connections/ Terminals</b>		
<b>type of electrical connection</b>	screw terminal	
<b>design of the interface for safety-related communication</b>	without	
<b>Communication/ Protocol</b>		
<b>design of the interface</b>	without	
<b>Approvals Certificates</b>		
<b>General Product Approval</b>	<b>Test Certificates</b>	<b>Marine / Shipping</b>

[Confirmation](#)



[Miscellaneous](#)



[Confirmation](#)[Environmental Con-  
firmations](#)**Further information**

Information on the packaging

<https://support.industry.siemens.com/cs/ww/en/view/109813875>

Information- and Downloadcenter (Catalogs, Brochures,...)

<https://www.siemens.com/ic10>

Industry Mall (Online ordering system)

<https://mall.industry.siemens.com/mall/en/en/Catalog/product?mlfb=3SE2100-1E>

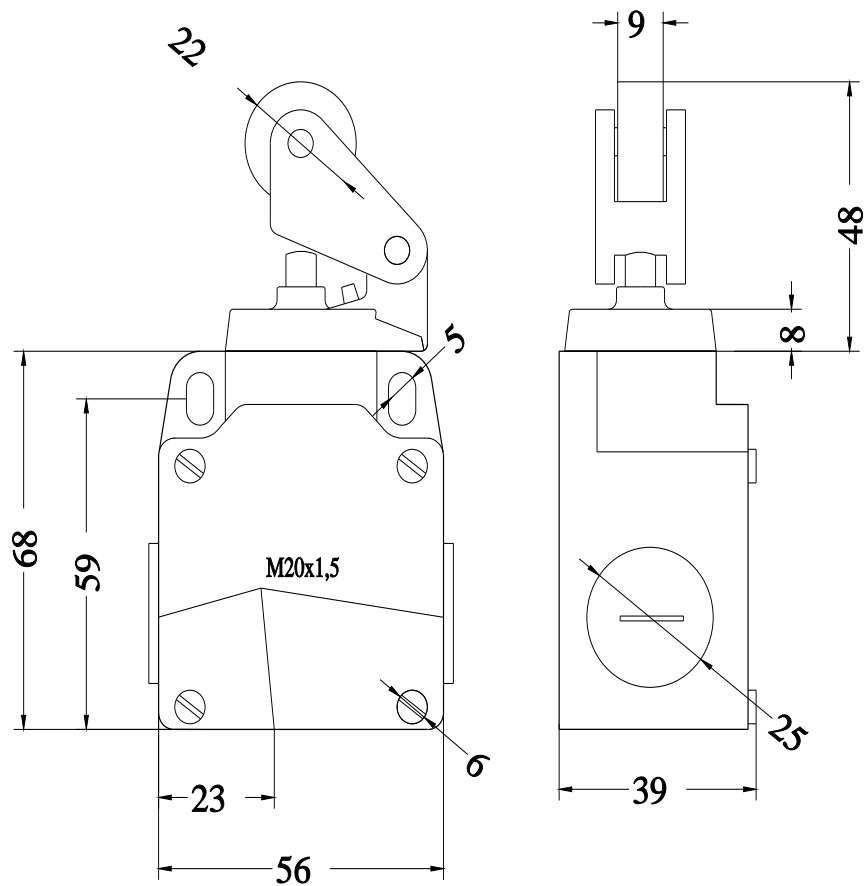
Cax online generator

<http://support.automation.siemens.com/WW/CAXorder/default.aspx?lang=en&mlfb=3SE2100-1E>

Service&amp;Support (Manuals, Certificates, Characteristics, FAQs,...)

<https://support.industry.siemens.com/cs/ww/en/ps/3SE2100-1E>

Image database (product images, 2D dimension drawings, 3D models, device circuit diagrams, EPLAN macros, ...)

[http://www.automation.siemens.com/bilddb/cax\\_de.aspx?mlfb=3SE2100-1E&lang=en](http://www.automation.siemens.com/bilddb/cax_de.aspx?mlfb=3SE2100-1E&lang=en)

last modified:

4/7/2024