



METAL-ENCLOSED POSITION SWITCH, SLOW-ACTION CONTACTS
2NO+1NC, ROLLER LEVER, 3 X M20 X 1.5

Figure similar

| | | |
|---|--|--------------------------|
| product designation | position switch | |
| suitability for use safety switch | Yes | |
| General technical data | | |
| reference code according to IEC 81346-2 | B | |
| active principle | mechanical | |
| Substance Prohibitance (Date) | 07/01/2006 | |
| Weight | 0.314 kg | |
| length of the sensor | 143 mm | |
| width of the sensor | 56 mm | |
| Ambient conditions | | |
| ambient temperature | -30 ... +85 °C | |
| • during operation | | |
| explosion protection category for dust | none | |
| design of the switching contact | mechanical | |
| number of NC contacts for auxiliary contacts | 1 | |
| number of NO contacts for auxiliary contacts | 2 | |
| Enclosure | | |
| design of the housing | block, wide | |
| material of the enclosure | metal | |
| coating of the enclosure | painted | |
| design of the housing according to standard | No | |
| Drive Head | | |
| design of the actuating element | roller lever | |
| design of the switching function | positive opening | |
| circuit principle | slow-action make-before-break contacts | |
| number of switching contacts safety-related | 1 | |
| Installation/ mounting/ dimensions | | |
| fastening method | screw fixing | |
| Connections/ Terminals | | |
| type of electrical connection | screw terminal | |
| design of the interface for safety-related communication | without | |
| Communication/ Protocol | | |
| design of the interface | without | |
| Approvals Certificates | | |
| General Product Approval | Test Certificates | Marine / Shipping |



[Confirmation](#)



[Miscellaneous](#)



other Environment

[Confirmation](#)

[Environmental Confirmations](#)

Further information

Information on the packaging

<https://support.industry.siemens.com/cs/ww/en/view/109813875>

Information- and Downloadcenter (Catalogs, Brochures,...)

<https://www.siemens.com/ic10>

Industry Mall (Online ordering system)

<https://mall.industry.siemens.com/mall/en/en/Catalog/product?mlfb=3SE2303-1E>

Cax online generator

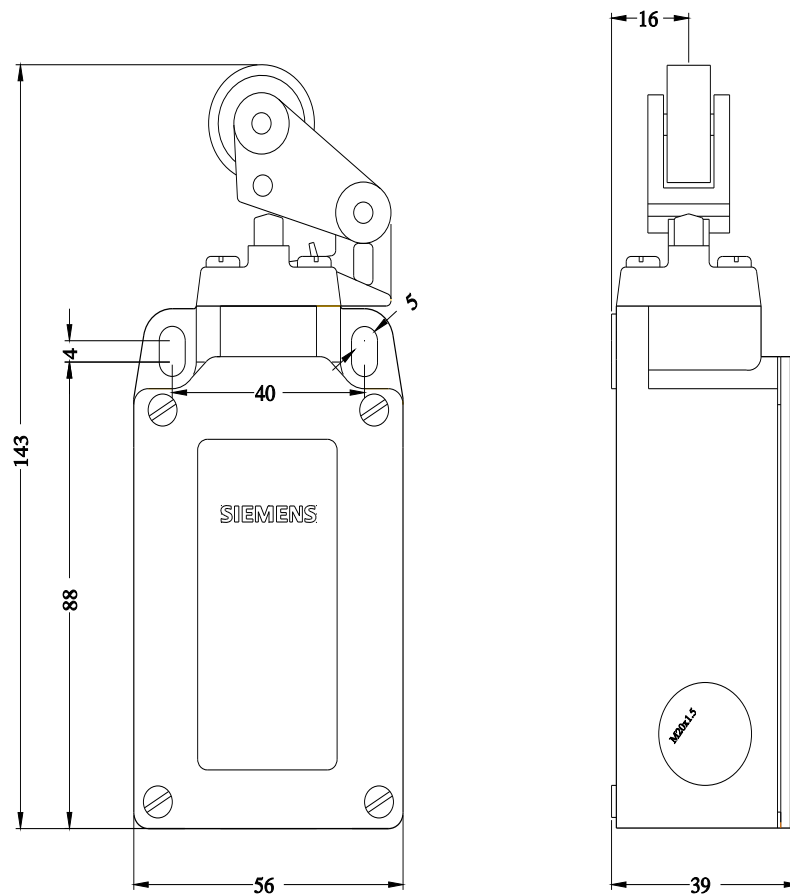
<http://support.automation.siemens.com/WW/CAXorder/default.aspx?lang=en&mlfb=3SE2303-1E>

Service&Support (Manuals, Certificates, Characteristics, FAQs,...)

<https://support.industry.siemens.com/cs/ww/en/en/ps/3SE2303-1E>

Image database (product images, 2D dimension drawings, 3D models, device circuit diagrams, EPLAN macros, ...)

http://www.automation.siemens.com/bilddb/cax_de.aspx?mlfb=3SE2303-1E&lang=en



last modified:

4/7/2024