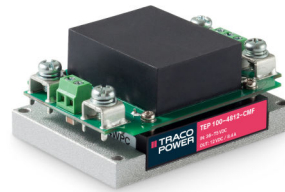


- Chassis mount with screw terminal block
- Wide 2:1 input voltage range
- Full load operation up to 60°C with convection cooling
- Soft start
- Under voltage lock-out circuit
- Input protection filter
- Optional DIN-rail mounting kit
- 3-year product warranty



UL 62368-1 IEC 62368-1

The TEP-100 Series is a family of isolated high performance DC/DC converter modules with ultra-wide 2:1 input voltage ranges which come in a rugged, sealed metal case. These converters are suitable for a wide range of applications, but the product is designed particularly also for industrial applications where often no PCB mounting is possible but the module has to be mounted on a chassis. Four threaded M3 inserts in the module makes chassis mount or attachment of a heatsink for optimal thermal management very simple. For easy connection there is also a unique adaptor available with screw terminals. A very high efficiency allows an operating temperature up to +60°C with natural convection cooling without power derating. Further features include output voltage trimming, Remote On/Off and under voltage lockout. The very wide input voltage range make these converters also an interesting solution for battery operated systems.

Models

Order Code	Input Voltage Range	Output Voltage nom. (adjustable)	Output Current max.	Efficiency typ.
TEP 100-1210-CMF	9 - 18 VDC (12 VDC nom.)	3.3 VDC (2.64 - 3.63 VDC)	25'000 mA	90 %
TEP 100-1211-CMF		5 VDC (4.0 - 5.5 VDC)	20'000 mA	91 %
TEP 100-1212-CMF		12 VDC (9.6 - 13.2 VDC)	8'400 mA	91 %
TEP 100-1213-CMF		15 VDC (12.0 - 16.5 VDC)	6'700 mA	91 %
TEP 100-1215-CMF		24 VDC (19.2 - 26.4 VDC)	4'200 mA	90 %
TEP 100-1216-CMF		28 VDC (22.4 - 30.8 VDC)	3'600 mA	90 %
TEP 100-1218-CMF		48 VDC (38.4 - 52.8 VDC)	2'100 mA	90 %
TEP 100-2410-CMF	18 - 36 VDC (24 VDC nom.)	3.3 VDC (2.64 - 3.63 VDC)	25'000 mA	91 %
TEP 100-2411-CMF		5 VDC (4.0 - 5.5 VDC)	20'000 mA	93 %
TEP 100-2412-CMF		12 VDC (9.6 - 13.2 VDC)	8'400 mA	93 %
TEP 100-2413-CMF		15 VDC (12.0 - 16.5 VDC)	6'700 mA	93 %
TEP 100-2415-CMF		24 VDC (19.2 - 26.4 VDC)	4'200 mA	92 %
TEP 100-2416-CMF		28 VDC (22.4 - 30.8 VDC)	3'600 mA	92 %
TEP 100-2418-CMF		48 VDC (38.4 - 52.8 VDC)	2'100 mA	92 %
TEP 100-4810-CMF	36 - 75 VDC (48 VDC nom.)	3.3 VDC (2.64 - 3.63 VDC)	25'000 mA	91 %
TEP 100-4811-CMF		5 VDC (4.0 - 5.5 VDC)	20'000 mA	93 %
TEP 100-4812-CMF		12 VDC (9.6 - 13.2 VDC)	8'400 mA	93 %
TEP 100-4813-CMF		15 VDC (12.0 - 16.5 VDC)	6'700 mA	93 %
TEP 100-4815-CMF		24 VDC (19.2 - 26.4 VDC)	4'200 mA	92 %
TEP 100-4816-CMF		28 VDC (22.4 - 30.8 VDC)	3'600 mA	92 %
TEP 100-4818-CMF		48 VDC (38.4 - 52.8 VDC)	2'100 mA	92 %

Options	
TEP-MK1	- Optional DIN-Rail Mounting Kit: www.tracopower.com/overview/tep-mk1
on demand (backorder with MOQ non stocking item)	- Optional models with inverse Remote On/Off function (passive = off)

Input Specifications

Input Current	- At no load	12 Vin models: 130 mA typ. 24 Vin models: 120 mA typ. 48 Vin models: 70 mA typ.
	- At full load	12 Vin models: 9'400 mA max. 24 Vin models: 4'600 mA max. 48 Vin models: 2'300 mA max.
Surge Voltage		12 Vin models: 36 VDC max. (1 s max.) 24 Vin models: 50 VDC max. (1 s max.) 48 Vin models: 100 VDC max. (1 s max.)
Under Voltage Lockout		12 Vin models: 7.5 VDC typ. 24 Vin models: 16 VDC typ. 48 Vin models: 34 VDC typ.
Recommended Input Fuse		12 Vin models: 20'000 mA (fast acting) 24 Vin models: 10'000 mA (fast acting) 48 Vin models: 5'000 mA (slow blow) (The need of an external fuse has to be assessed in the final application.)
Input Filter		Internal Pi-Type

Output Specifications

Output Voltage Adjustment		-20% to +10% (By external trim resistor) See application note: www.tracopower.com/tep100cmf-adj Output power must not exceed rated power!
Voltage Set Accuracy		±1% max.
Regulation	- Input Variation (Vmin - Vmax) - Load Variation (0 - 100%)	0.1% max. 0.1% max.
Ripple and Noise (20 MHz Bandwidth)		3.3 Vout models: 75 mVp-p max. (w/ 4.7 µF X7R) 5 Vout models: 75 mVp-p max. (w/ 4.7 µF X7R) 12 Vout models: 100 mVp-p max. (w/ 4.7 µF X7R) 15 Vout models: 100 mVp-p max. (w/ 4.7 µF X7R) 24 Vout models: 200 mVp-p max. (w/ 4.7 µF X7R) 28 Vout models: 200 mVp-p max. (w/ 4.7 µF X7R) 48 Vout models: 300 mVp-p max. (w/ 2.2 µF X7R)
Capacitive Load		3.3 Vout models: 75'700 µF max. 5 Vout models: 40'000 µF max. 12 Vout models: 7'000 µF max. 15 Vout models: 4'460 µF max. 24 Vout models: 1'750 µF max. 28 Vout models: 1'280 µF max. 48 Vout models: 430 µF max.
Minimum Load		Not required
Temperature Coefficient		±0.02 %/K max.
Start-up Time		25 ms typ.
Short Circuit Protection		Continuous, Automatic recovery
Output Current Limitation		110 - 140% of Iout max.
Overvoltage Protection		115 - 130% of Vout nom.
Transient Response	- Response Time	200 µs typ. / 250 µs max. (25% Load Step)

All specifications valid at nominal voltage, resistive full load and +25°C after warm-up time, unless otherwise stated.

Safety Specifications

Standards	- IT / Multimedia Equipment	EN 60950-1 EN 62368-1 IEC 60950-1 IEC 62368-1 UL 60950-1 UL 62368-1
	- Certification Documents	www.tracopower.com/tep100cmf-safety-cert

EMC Specifications

EMI (Emissions)	- Conducted Emissions	EN 55011 class A (internal filter) EN 55032 class A (internal filter)
	- Radiated Emissions	EN 55011 class A (internal filter) EN 55032 class A (internal filter)
EMS (Immunity)		EN 55024 (IT Equipment) EN 55035 (Multimedia)
	- Electrostatic Discharge	Air: EN 61000-4-2, ± 8 kV, perf. criteria A Contact: EN 61000-4-2, ± 6 kV, perf. criteria A
	- RF Electromagnetic Field	EN 61000-4-3, 10 V/m, perf. criteria A
	- EFT (Burst) / Surge	EN 61000-4-4, ± 2 kV, perf. criteria A EN 61000-4-5, ± 2 kV, perf. criteria A
	- Conducted RF Disturbances	EN 61000-4-6, 10 Vrms, perf. criteria A
	- PF Magnetic Field	Continuous: EN 61000-4-8, 100 A/m, perf. criteria A 1 s: EN 61000-4-8, 1000 A/m, perf. criteria A

General Specifications

Relative Humidity		95% max. (non condensing)
Temperature Ranges	- Operating Temperature	-40°C to +75°C
	- Case Temperature	+105°C max.
	- Storage Temperature	-40°C to +105°C
Power Derating	- High Temperature	Depending on model
		See application note: www.tracopower.com/tep100cmf-cc
Over Temperature Protection Switch Off	- Protection Mode - Measurement Point	115°C typ. (Automatic recovery at 105°C typ.) Base-Plate
Cooling System		Natural convection (20 LFM)
Sense Function		10% max. of Vout nom.
		(If sense function is not used, sense pins must be connected to corresponding polarity output pins.) See application note: www.tracopower.com/tep100cmf-sense
Remote Control	- Voltage Controlled Remote (passive = on)	On: 3.0 to 12 VDC or open circuit Off: 0 to 1.2 VDC or short circuit Refers to 'Remote' and '-Vin' Pin
	- Off Idle Input Current	3 mA typ.
	- Remote Pin Input Current	-0.5 to 1.0 mA (Optional models with inverse Remote On/Off function (passive = off))
Altitude During Operation		2'000 m max. (for basic insulation) 5'000 m max. (for functional insulation)
Switching Frequency		270 - 330 kHz (PWM)
		300 kHz typ. (PWM)
Insulation System		Basic Insulation
Isolation Test Voltage	- Input to Output, 60 s	3'000 VDC
	- Input to Case, 60 s	1'600 VDC
	- Output to Case, 60 s	1'600 VDC
Isolation Resistance	- Input to Output, 500 VDC	1'000 M Ω min.
Isolation Capacitance	- Input to Output, 100 kHz, 1 V	2'500 pF max.

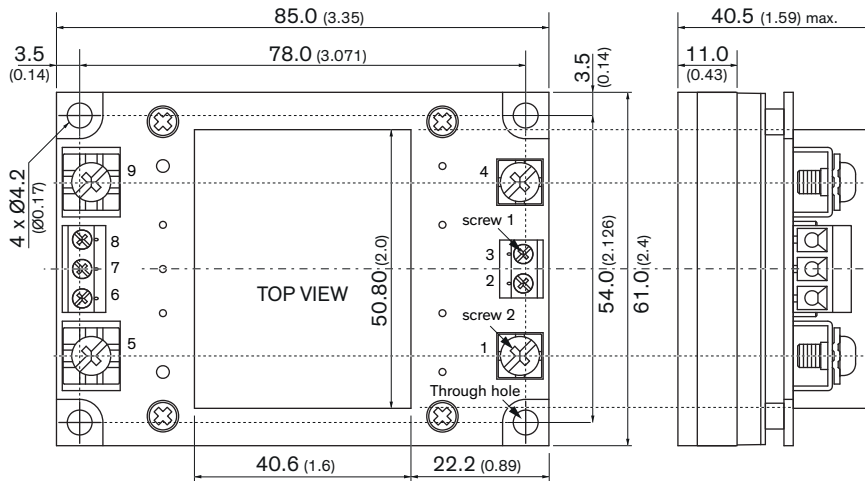
All specifications valid at nominal voltage, resistive full load and +25°C after warm-up time, unless otherwise stated.

Reliability	- Calculated MTBF	331'000 h (MIL-HDBK-217F, ground benign)
Environment	- Vibration - Thermal Shock	MIL-STD-810F MIL-STD-810F
Housing Material		Metal
Base Material		Non-conductive FR4 (UL 94 V-0 rated)
Potting Material		Silicone (UL 94 V-0 rated)
Housing Type		Metal Case
Mounting Type		Chassis Mount
Connection Type		Screw Terminal
Weight		287 g
Thermal Impedance	- Case to Ambient	6.7 K/W typ.
Environmental Compliance	- REACH Declaration - RoHS Declaration - SCIP Reference Number	www.tracopower.com/info/reach-declaration.pdf REACH SVHC list compliant REACH Annex XVII compliant www.tracopower.com/info/rohs-declaration.pdf Exemptions: 7(a), 7(c)-I (RoHS exemptions refer to the component concentration only, not to the overall concentration in the product (O5A rule)) e70cd9df-2d35-4446-bc31-bc0d2cd31b12

Additional Information

Supporting Documents	www.tracopower.com/overview/tep100cmf
Frequently Asked Questions	www.tracopower.com/glossary-faq
Glossary	www.tracopower.com/info/glossary.pdf

Outline Dimensions



Pinout	
Pin	Single
1	-Vin (GND)
2	Case
3	Remote On/Off
4	+Vin (Vcc)
5	-Vout
6	-Sense
7	Trim
8	+Sense
9	+Vout

Wire gauge range:
AWG 14 - 26

Dimensions in mm (inch)
Tolerances x.x ±0.5 (x.xx ±0.02)
x.xx ±0.25 (x.xxx ±0.01)
Mounting hole pitch tolerances ±0.25 (±0.01)

Screw 2:
Type M4
Head diameter 6.88 (0.271)
Rated current: 15 A

The screw 1 locked torque: max. 5.2 kgfcm / 0.51 Nm
The screw 2 locked torque: max. 12.0 kgfcm / 1.18 Nm

Mounting screw locked torque: max. 11.2 kgfcm / 1.10 Nm

